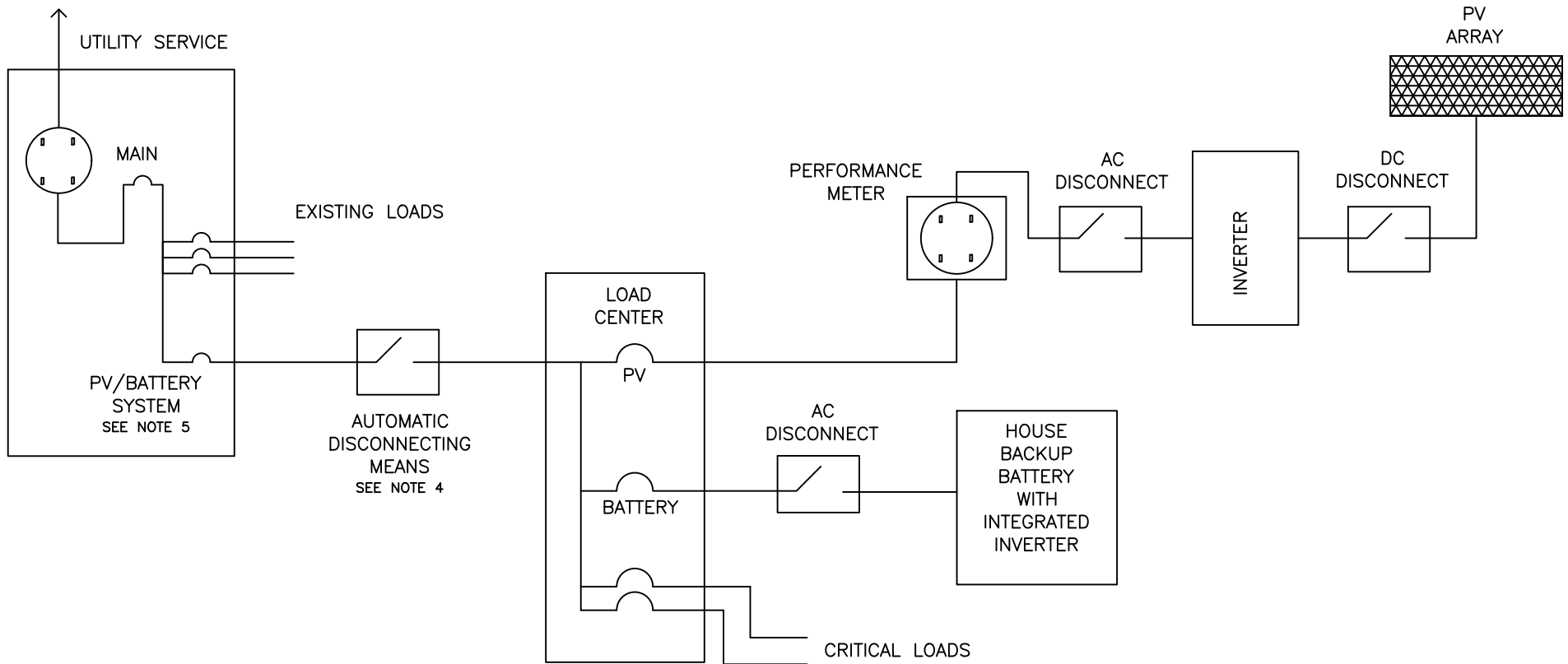
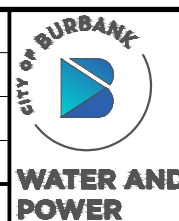


NOTES:

1. ALL INSTALLATIONS REQUIRE PRE-APPROVAL BY BWP. TO OBTAIN PRE-APPROVAL SUBMIT A SINGLE LINE DIAGRAM ALONG WITH A FULL SET OF PLANS TO BWP.
2. ALL DISCONNECTS MUST BE LOCKABLE IN THE OPEN POSITION WITH VISIBLE OPEN, HAVE NO ADDITIONAL ATTACHMENTS, EXTERIOR ACCESSIBLE AND OPERABLE FROM THE GROUND, AND SAFELY ACCESSIBLE TO BWP PERSONNEL AT ALL TIMES.
3. BWP REQUIRES SEPARATE AC DISCONNECTS FOR EACH ENERGY STORAGE SYSTEM.
4. BWP ENGINEERING APPROVED AUTOMATIC DISCONNECTING MEANS IS REQUIRED FOR SYSTEMS THAT CAN OPERATE AS AN INTENTIONAL ISLAND. AUTOMATIC DISCONNECTING MEANS SHALL COMPLY WITH APPLICABLE UL AND NEMA STANDARDS.
5. THE CIRCUIT BREAKER IN THE SERVICE ENTRANCE PANEL THAT CONNECTS THE SOLAR PHOTOVOLTAIC AND BATTERY SYSTEM SHALL BE LABELED, "PV/BATTERY SYSTEM - DO NOT RELOCATE THIS BREAKER".



No.	REVISIONS	BY	APPR'V'D	DATE
C	STANDARDIZED FORMATTING, OMIT ARRAY	MEP	CJC	5/9/23
B	MODIFIED NOTES AND LABEL	MT	RS	4/22/22
A	MODIFIED NOTES	MT	RS	7/19/18



BURBANK WATER AND POWER – ELECTRIC SERVICES

DRAWING No.

S-812C

Sheet 1 of 1

SINGLE LINE DIAGRAM FOR SOLAR PV WITH AC CONNECTED BATTERY